

Interlock fittings for 4 and 6 spiral hoses

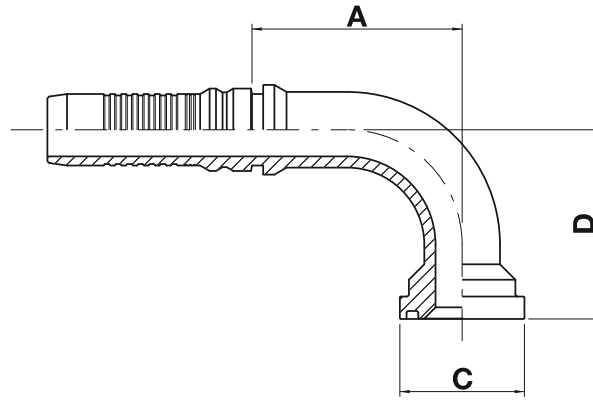
AX90I OR92I

SAE 3000 code 61 - 90° elbow flange

INTERLOCK

ISO 6162-1 / SAE J518-1

3000 serisi 90° interlock flanş



code	ø hose			T	A		C		D	
	dn	inch	size		mm	in	mm	in	mm	in
AX90I-12-12	19	3/4"	12	3/4"	53,0	2,09	38,1	1,50	56,5	2,22
AX90I-12-16	19	3/4"	12	1"	53,0	2,09	44,5	1,75	58,0	2,28
AX90I-16-16	25	1"	16	1"	75,0	2,95	44,5	1,75	67,5	2,66
AX90I-16-20	25	1"	16	1.1/4"	76,0	2,99	50,8	2,00	71,0	2,80
AX90I-20-16	31	1.1/4"	20	1"	99,2	3,91	44,5	1,75	93,0	3,66
AX90I-20-20	31	1.1/4"	20	1.1/4"	83,7	3,30	50,8	2,00	69,2	2,72
AX90I-20-24	31	1.1/4"	20	1.1/2"	82,7	3,26	60,3	2,37	69,2	2,72
AX90I-24-24	38	1.1/2"	24	1.1/2"	109,5	4,31	60,3	2,37	103,0	4,06
AX90I-24-32	38	1.1/2"	24	2"	109,5	4,31	71,4	2,81	104,0	4,09
AX90I-32-32	51	2"	32	2"	145,0	5,71	71,4	2,81	123,0	4,84