

Interlock fittings for 4 and 6 spiral hoses

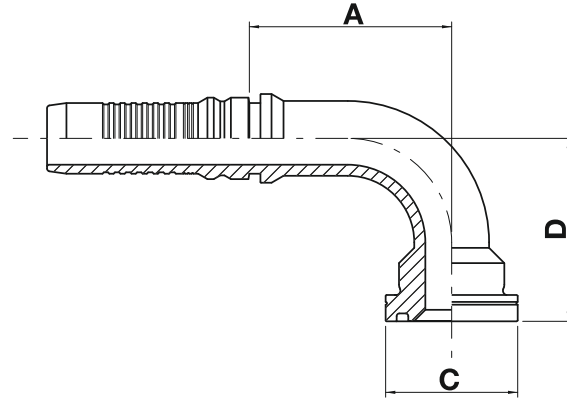
AY90I

SAE 6000 code 62 - 90° elbow flange

INTERLOCK

ISO 6162-2 / SAE J518-2

6000 serisi 90° interlock flanş



code	ø hose			flange	A		C		D	
	dn	inch	size		mm	in	mm	in	mm	in
AY90I-10-12	16	5/8"	10	3/4"	51,5	2,03	41,3	1,63	58,0	2,28
AY90I-12-12	19	3/4"	12	3/4"	53,0	2,09	41,3	1,63	56,5	2,22
AY90I-12-16	19	3/4"	12	1"	53,0	2,09	47,6	1,88	65,0	2,56
AY90I-16-12	25	1"	16	3/4"	77,0	3,03	41,3	1,63	69,0	2,72
AY90I-16-16	25	1"	16	1"	73,0	2,87	47,6	1,88	66,0	2,60
AY90I-16-20	25	1"	16	1.1/4"	75,0	2,95	54,0	2,13	80,5	3,17
AY90I-16-24	25	1"	16	1.1/2"	76,0	2,99	63,5	2,50	89,0	3,50
AY90I-20-16	31	1.1/4"	20	1"	91,7	3,61	47,6	1,87	85,0	3,35
AY90I-20-20	31	1.1/4"	20	1.1/4"	97,2	3,83	54,0	2,13	86,0	3,39
AY90I-20-24	31	1.1/4"	20	1.1/2"	100,3	3,95	63,5	2,50	98,0	3,86
AY90I-24-20	38	1.1/2"	24	1.1/4"	116,5	4,59	54,0	2,13	113,0	4,45
AY90I-24-24	38	1.1/2"	24	1.1/2"	108,0	4,25	63,5	2,50	104,0	4,09
AY90I-24-32	38	1.1/2"	24	2"	107,5	4,23	79,4	3,13	119,5	4,70
AY90I-32-24	51	2"	32	1.1/2"	117,0	4,61	63,5	2,50	104,0	4,09
AY90I-32-32	51	2"	32	2"	145,0	5,71	79,4	3,13	134,0	5,28
AY90I-40-40	63	2.1/2"	40	2.1/2"	225,5	8,87	107,7	4,24	225,0	8,85
AY90I-48-48	76	3"	48	3"	276,0	10,87	131,7	5,18	250,0	9,84