

Interlock fittings for 4 and 6 spiral hoses

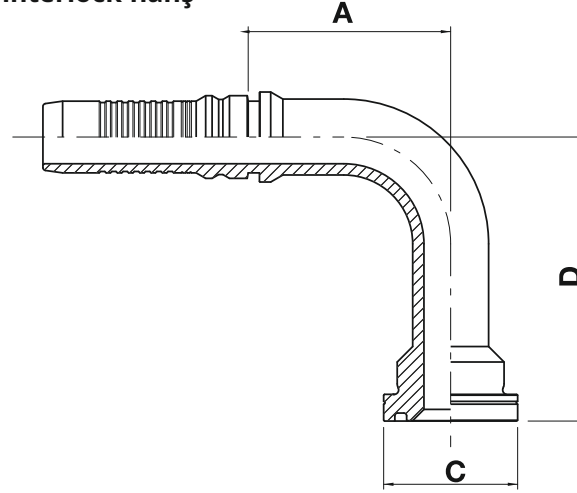
AY90I-L

SAE 6000 code 62 - 90° elbow flange (long drop)

INTERLOCK

ISO 6162-2 / SAE J518-2

6000 serisi 90° uzun tip interlock flanş



code	ø hose			flange	A		C		D	
	dn	inch	size		mm	in	mm	in	mm	in
AY90I-12-12-80	19	3/4"	12	3/4"	62,5	2,46	41,3	1,63	80,0	3,15
AY90I-12-12-100	19	3/4"	12	3/4"	60,0	2,36	41,3	1,63	100,0	3,94
AY90I-12-12-150	19	3/4"	12	3/4"	60,0	2,36	41,3	1,63	150,0	5,90
AY90I-12-16-80	19	3/4"	12	1"	60,0	2,36	47,6	1,88	80,0	3,15
AY90I-12-16-100	19	3/4"	12	1"	60,0	2,36	47,6	1,88	100,0	3,94
AY90I-16-12-108	25	1"	16	3/4"	79,0	3,11	41,3	1,63	108,0	4,25
AY90I-16-16-80	25	1"	16	1"	76,0	3,00	47,6	1,88	80,0	3,15
AY90I-16-16-100	25	1"	16	1"	72,0	2,83	47,6	1,88	100,0	3,94
AY90I-16-16-130	25	1"	16	1"	72,0	2,83	47,6	1,88	130,0	5,12
AY90I-16-16-150	25	1"	16	1"	72,0	2,83	47,6	1,88	150,0	5,90
AY90I-16-20-100	25	1"	16	1.1/4"	76,0	3,00	54,0	2,13	100,0	3,94
AY90I-20-16-150	31	1.1/4"	20	1"	98,7	3,88	47,6	1,88	150,0	5,90
AY90I-20-20-120	31	1.1/4"	20	1.1/4"	97,7	3,84	54,0	2,13	120,0	4,72
AY90I-20-20-150	31	1.1/4"	20	1.1/4"	97,7	3,84	54,0	2,13	150,0	5,90
AY90I-24-24-140	38	1.1/2"	24	1.1/2"	108,0	4,25	63,5	2,50	140,0	5,51
AY90I-32-32-145	50	2"	32	2"	145,0	5,70	79,4	3,13	145,0	5,71