

Two piece fittings - Universal series for wire braided and 4 spiral hydraulic hoses

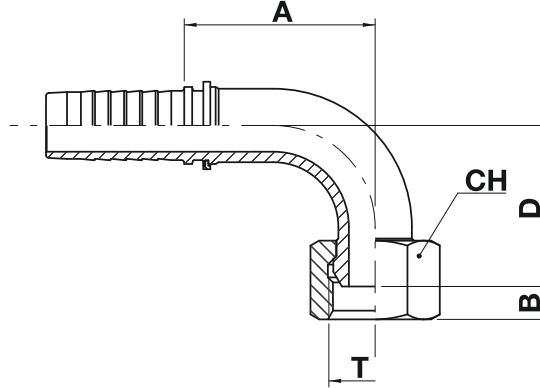
FB93B FB91B FB92B

BSP female swivel 60° cone - 90° elbow

NO SKIVE / EXTERNAL SKIVE

ISO 8434-6 / BS 5200

BSP 90° Dişi başlık



code	ø hose			T	A		B		D		CH		
	dn	inch	size		mm	in	mm	in	mm	in	mm	in	↗ in
FB91B-03-02	5	3/16	03	1/8-28	27,5	1,08	5,5	0,22	28,5	1,12	14,0	0,551	9/16
FB91B-04-02	6	1/4	04	1/8-28	31,5	1,24	5,5	0,22	28,5	1,12	14,0	0,551	9/16
FB91B-04-04	6	1/4	04	1/4-19	25,5	1,00	4,2	0,17	29,0	1,14	19,0	0,748	3/4
FB93B-04-04	6	1/4	04	1/4-19	27,6	1,09	4,2	0,17	27,5	1,08	19,0	0,748	3/4
FB93B-04-06	6	1/4	04	3/8-19	28,0	1,10	6,0	0,24	29,5	1,16	22,0	0,866	7/8
FB93B-05-06	8	5/16	05	3/8-19	32,5	1,28	6,0	0,24	30,0	1,18	22,0	0,866	7/8
FB91B-06-06	10	3/8	06	3/8-19	31,5	1,24	6,0	0,24	33,5	1,32	22,0	0,866	7/8
FB93B-06-06	10	3/8	06	3/8-19	31,5	1,24	6,0	0,24	29,5	1,16	22,0	0,866	7/8
FB93B-06-08	10	3/8	06	1/2-14	30,3	1,19	6,5	0,26	31,2	1,23	27,0	1,063	1.1/16
FB91B-08-08	12	1/2	08	1/2-14	38,5	1,52	7,0	0,28	40,5	1,59	27,0	1,063	1.1/16
FB93B-08-08	12	1/2	08	1/2-14	37,2	1,47	6,5	0,26	36,0	1,42	27,0	1,063	1.1/16
FB91B-08-10	12	1/2	08	5/8-14	45,0	1,77	9,5	0,37	42,3	1,65	30,0	1,181	1.3/16
FB91B-10-10	16	5/8	10	5/8-14	54,0	2,13	9,5	0,37	50,0	1,97	30,0	1,181	1.3/16
FB91B-10-12	16	5/8	10	3/4-14	54,0	2,13	8,7	0,34	55,0	2,17	32,0	1,260	1.1/4
FB91B-12-12	19	3/4	12	3/4-14	55,5	2,19	8,7	0,34	55,0	2,17	32,0	1,260	1.1/4
FB92B-12-16	19	3/4	12	1-11	60,5	2,38	10,5	0,41	64,0	2,52	38,0	1,496	1.1/2
FB91B-16-12	25	1	16	3/4-14	62,5	2,46	8,7	0,34	55,0	2,17	32,0	1,260	1.1/4
FB92B-16-16	25	1	16	1-11	72,0	2,83	10,5	0,41	71,0	2,80	38,0	1,496	1.1/2
FB92B-16-20	25	1	16	1.1/4-11	79,5	3,13	10,0	0,39	83,0	3,27	50,0	1,969	2