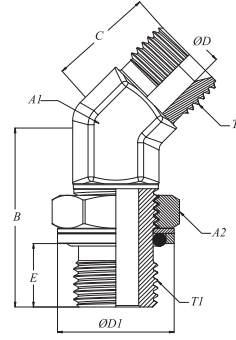


**BSP - BSP 45°
KONTRALI DİRSEK**

BSPP 60°

Oring + Retaining Ring

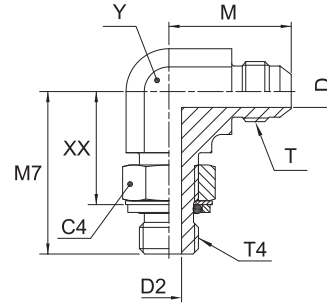


Kod No	Diş Ölçüsü	Diş Ölçüsü	B - E	A1
KDB02	G1/8-28	G1/8-28	19	12
KDB04	G1/4-19	G1/4-19	20	14
KDB06	G3/8-19	G3/8-19	22	19
KDB08	G1/2-14	G1/2-14	28,5	22
KDB12	G3/4-14	G3/4-14	30	27
KDB16	G1-11	G1-11	32	36
KDB20	G1.1/4-11	G1.1/4-11	32	45
KDB24	G1.1/2-11	G1.1/2-11	39	50

**BSP - UNF 90°
KONTRALI DİRSEK**

BSPP

Oring + Retaining Ring ISO
1179



Kod No	Diş Ölçüsü	Diş Ölçüsü	M7	Y
KDBU0204	G1/8-28	7/16-20unf	26,5	12
KDBU0404	G1/4-19	7/16-20unf	34	15
KDBU0405	G1/4-19	1/2-20unf	34	15
KDBU0406	G1/4-19	9/16-18unf	34	15
KDBU0606	G3/8-19	9/16-18unf	37	19
KDBU0607	G3/8-19	5/8-18unf	37	19
KDBU0608	G3/8-19	3/4-16unf	37	19
KDBU0806	G1/2-14	9/16-18unf	49	24
KDBU0807	G1/2-14	5/8-18unf	49	24
KDBU0808	G1/2-14	3/4-16unf	49	24
KDBU0810	G1/2-14	7/8-14unf	49	24
KDBU0812	G1/2-14	1.1/16-12unf	50	30
KDBU1210	G3/4-14	7/8-14unf	49	30
KDBU1212	G3/4-14	1.1/16-12unf	49	30
KDBU1612	G1-11	1.1/16-12unf	58	36
KDBU1616	G1-11	1.5/16-12unf	58	36
KDBU2020	G1/1.4-11	1.5/8-12unf	57	41
KDBU2424	G1/1.2-11	1.7/8-12unf	61	48