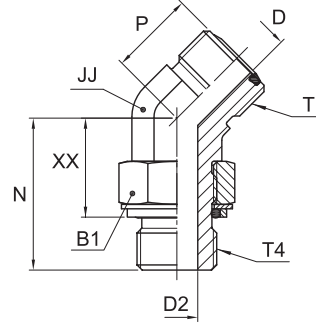


**BSP - ORFS 45°  
KONTRALI DİRSEK**



BSP

Oring + Retaining Ring ISO  
1179

Kod No	Diş Ölçüsü	Diş Ölçüsü	N	JJ
KDBO450404	G1/4-19	9/16-18unf	33	19
KDBO450406	G1/4-19	11/16-16unf	33	19
KDBO450408	G1/4-19	13/16-16unf	33	19
KDBO450604	G3/8-19	9/16-18unf	34	19
KDBO450606	G3/8-19	11/16-16unf	34	19
KDBO450608	G3/8-19	13/16-16unf	34	19
KDBO450806	G1/2-14	11/16-16unf	43	27
KDBO450808	G1/2-14	13/16-16unf	43	27
KDBO450810	G1/2-14	1-14unf	43	27
KDBO451210	G3/4-14	1-14unf	46	27
KDBO451212	G3/4-14	1.3/16-12unf	46	30
KDBO451216	G3/4-14	1.7/16-12unf	50	36
KDBO451612	G1-11	1.3/16-12unf	51	36
KDBO451616	G1-11	1.7/16-12unf	51	36
KDBO452020	G1.1/4-11	1.11/16-12	61*	41*
KDBO452424	G1.1/2-11	2-12unf	65*	48*

\*Ölçüler değişiklik gösterebilir.