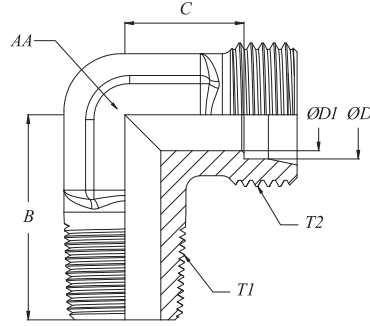


**BSPT - METRİK S DİRSEK**

Metric 24°

BSPT ISO 7



Kod No	Blok Ölçüsü	Diş Ölçüsü	B	AA
DBTM04-6S	1/4-19 BSPT	M14x1,5 6S	28	14
DBTM04-8S	1/4-19 BSPT	M16x1,5 8S	28	14
DBTM04-10S	1/4-19 BSPT	M18x1,5 10S	28,5	17
DBTM06-8S	3/8-19 BSPT	M16x1,5 8S	28,5	17
DBTM06-10S	3/8-19 BSPT	M18x1,5 10S	28,5	17
DBTM06-12S	3/8-19 BSPT	M20x1,5 12S	28,5	17
DBTM06-16S	3/8-19 BSPT	M24x1,5 16S	34	24
DBTM08-12S	1/2-14 BSPT	M20x1,5 12S	32	19
DBTM08-16S	1/2-14 BSPT	M24x1,5 16S	34	24
DBTM08-20S	1/2-14 BSPT	M30x2 20S	42	27
DBTM12-16S	3/4-14 BSPT	M24x1,5 16S	42	27
DBTM12-20S	3/4-14 BSPT	M30x2 20S	42	27
DBTM12-25S	3/4-14 BSPT	M36x2 25S	42,5	36
DBTM16-20S	1-11 BSPT	M30x2 20S	46	36
DBTM16-25S	1-11 BSPT	M36x2 25S	46	36
DBTM16-30S	1-11 BSPT	M42x2 30S	49,5	41
DBTM20-30S	1.1/4-11 BSPT	M42x2 30S	49,5	41
DBTM20-38S	1.1/4-11 BSPT	M52x2 38S	60	50
DBTM24-38S	1.1/2-11 BSPT	M52x2 38S	60	50