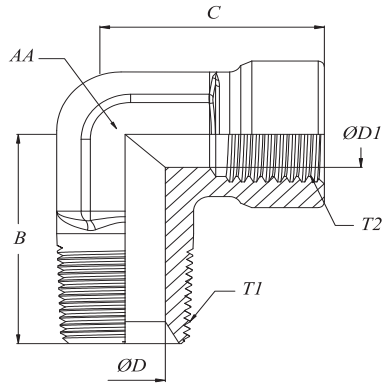
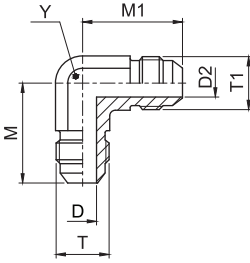


BSPT - BSP Kuyruklu Dirsek				
BSPP 60°				
BSPT ISO 7				
Kod No	Blok Ölçüsü	Diş Ölçüsü	B	AA
DBTBB0202	1/8-28 BSPT	G 1/8-28	22,5	
DBTBB0404	1/4-19 BSPT	G 1/4-19	30	
DBTBB0606	3/8-19 BSPT	G 3/8-19	34	
DBTBB0808	1/2-14 BSPT	G 1/2-14	38	
DBTBB1212	3/4-14 BSPT	G 3/4-14	42,5	
DBTBB1616	1-11 BSPT	G 1-11	50	
DBTBB2020	1.1/4-11 BSPT	G 1.1/4-11	61	
DBTBB2424	1.1/2-11 BSPT	G 1.1/2-11	78	

JIC Dirsek				
37° Flare				
SAE 070201				
Kod No	Diş Ölçüsü	Diş Ölçüsü	M	Y
DJ0404	7/16-20unf	7/16-20unf	20	12
DJ0505	1/2-20unf	1/2-20unf	23,5	14
DJ0606	9/16-18unf	9/16-18unf	25	17
DJ0707	5/8-18unf	5/8-18unf	25	17
DJ0808	3/4-16unf	3/4-16unf	30	17
DJ1010	7/8-14unf	7/8-14unf	34	24
DJ1212	1.1/16-12unf	1.1/16-12unf	38	27
DJ1616	1.5/16-12unf	1.5/16-12unf	43	36
DJ2020	1.5/8-12unf	1.5/8-12unf	50	41
DJ2424	1.7/8-12unf	1.7/8-12unf	57,5	50