

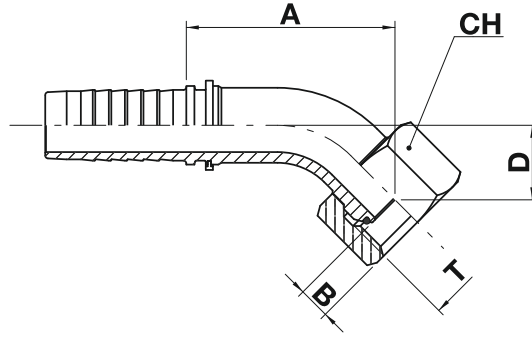
Two piece fittings - Universal series for wire braided and 4 spiral hydraulic hoses

FO43B FO42B

BSP O-ring female swivel 60° cone - 45° elbow

ISO 8434-6 / BS 5200

BSP Oringli 45° dişi başlık



code	ø hose			T	A		B		D		CH		
	dn	inch	size		mm	in	mm	in	mm	in	mm	in	↗ in
FO43B-04-04	6	1/4"	04	1/4"-19	32,5	1,28	4,2	0,17	13,0	0,51	19,0	0,748	3/4"
FO43B-06-06	10	3/8"	06	3/8"-19	37,7	1,48	6,1	0,24	15,0	0,59	22,0	0,866	7/8"
FO43B-08-08	12	1/2"	08	1/2"-14	46,0	1,81	6,5	0,26	18,0	0,71	27,0	1,063	1.1/16"
FO42B-10-10	16	5/8"	10	5/8"-14	63,0	2,48	9,5	0,37	26,0	1,02	30,0	1,181	1.3/16"
FO42B-12-12	19	3/4"	12	3/4"-14	68,9	2,71	8,7	0,34	28,3	1,11	32,0	1,260	1.1/4"
FO42B-16-16	25	1"	16	1"-11	83,6	3,29	10,5	0,41	33,8	1,33	38,0	1,496	1.1/2"
FO42B-20-20	31	1.1/4"	20	1.1/4"-11	97,0	3,82	10,0	0,39	37,5	1,48	50,0	1,969	2"
FO42B-24-24	38	1.1/2"	24	1.1/2"-11	119,0	4,69	12,0	0,47	49,2	1,94	55,0	2,165	2.3/16"
FO42B-32-32	51	2"	32	2"-11	142,2	5,60	16,0	0,63	59,6	2,35	70,0	2,756	2.3/4"

Nut type

