

Two piece fittings - Universal series for wire braided and 4 spiral hydraulic hoses

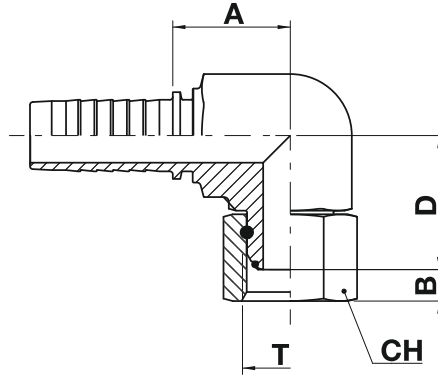
K092B FO42B


BSP O-ring female swivel 60° cone - 90° compact elbow

NO SKIVE / EXTERNAL SKIVE

ISO 8434-6 / BS 5200

BSP Oringli kompakt dirsek



code	ø hose			T	A		B		D		CH		
	dn	inch	size		mm	in	mm	in	mm	in	mm	in	 in
KO92B-04-04	6	1/4"	04	1/4"-19	18,5	0,73	5,2	0,20	22,5	0,89	19,0	0,748	3/4"
KO92B-06-06	10	3/8"	06	3/8"-19	21,5	0,85	6,0	0,24	26,0	1,02	22,0	0,866	7/8"
KO92B-08-08	12	1/2"	08	1/2"-14	25,0	0,98	6,5	0,26	29,0	1,14	27,0	1,063	1.1/16"
KO92B-12-12	19	3/4"	12	3/4"-14	28,5	1,12	8,7	0,34	36,0	1,42	32,0	1,260	1.1/4"
KO92B-16-16	25	1"	16	1"-11	34,0	1,34	10,5	0,41	40,0	1,57	41,0	1,614	1.1/2"