

Two piece fittings - Universal series for wire braided and 4 spiral hydraulic hoses

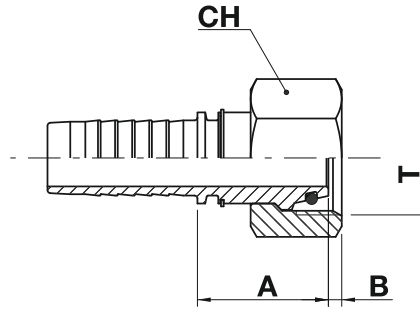
FS13B


Metric heavy female swivel (24° cone seat)

NO SKIVE / EXTERNAL SKIVE

ISO 8434-1 / DIN 3865

Metrik düz dişli başlık S tipi



code	ø hose			T	pipe	A		B		CH		
	dn	inch	size			mm	in	mm	in	mm	in	 in
FS13B-04-14	6	1/4"	04	M14X1,5	S6	22,0	0,87	2,5	0,10	17,0	0,669	11/16"
FS13B-04-16	6	1/4"	04	M16X1,5	S8	26,5	1,04	2,5	0,10	19,0	0,748	3/4"
FS13B-04-18	6	1/4"	04	M18X1,5	S10	33,5	1,32	2,0	0,08	22,0	0,866	7/8"
FS13B-05-18	8	5/16"	05	M18X1,5	S10	24,0	0,94	2,0	0,08	22,0	0,866	7/8"
FS13B-05-20	8	5/16"	05	M20X1,5	S12	26,5	1,04	2,0	0,08	24,0	0,945	15/16"
FS12B-06-16	10	3/8"	06	M16X1,5	S8	24,0	0,94	2,5	0,10	19,0	0,748	3/4"
FS13B-06-18	10	3/8"	06	M18X1,5	S10	24,0	0,94	2,0	0,08	22,0	0,866	7/8"
FS13B-06-20	10	3/8"	06	M20X1,5	S12	26,5	1,04	2,0	0,08	24,0	0,945	15/16"
FS13B-06-22	10	3/8"	06	M22X1,5	S14	29,5	1,16	4,0	0,16	27,0	1,063	1.1/16"
FS13B-06-24	10	3/8"	06	M24X1,5	S16	32,5	1,28	3,0	0,12	30,0	1,181	1.3/16"
FS13B-08-24	12	1/2"	08	M24X1,5	S16	33,0	1,30	3,0	0,12	30,0	1,181	1.3/16"
FS13B-08-30	12	1/2"	08	M30X2	S20	36,0	1,42	3,5	0,14	36,0	1,417	1.7/16"
FS12B-10-24	16	5/8"	10	M24X1,5	S16	27,2	1,07	3,0	0,12	30,0	1,181	1.3/16"
FS13B-10-30	16	5/8"	10	M30X2	S20	34,0	1,34	3,5	0,14	36,0	1,417	1.7/16"
FS12B-12-24	19	3/4"	12	M24X1,5	S16	27,7	1,09	3,0	0,12	30,0	1,181	1.3/16"
FS13B-12-30	19	3/4"	12	M30X2	S20	34,5	1,36	3,5	0,14	36,0	1,417	1.7/16"
FS13B-12-36	19	3/4"	12	M36X2	S25	39,5	1,56	3,0	0,12	46,0	1,811	1.13/16"
FS13B-16-36	25	1"	16	M36X2	S25	42,0	1,65	3,0	0,12	46,0	1,811	1.13/16"
FS13B-16-42	25	1"	16	M42X2	S30	43,0	1,69	6,0	0,24	50,0	1,969	2"