

Two piece fittings - Universal series for wire braided and 4 spiral hydraulic hoses

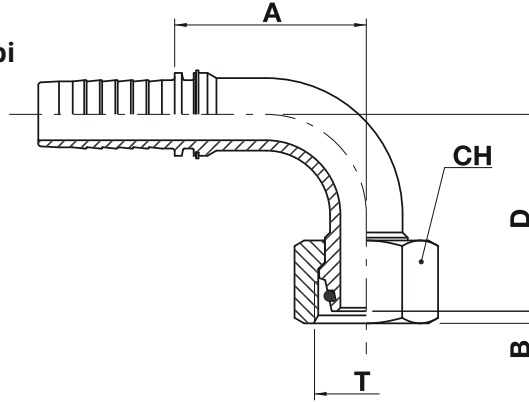
FS93B

Metric heavy female swivel - 90° elbow (24° cone seat)

NO SKIVE / EXTERNAL SKIVE

ISO 8434-1 / DIN 3865

Metrik 90° diři bařlık S tipi



code	ø hose			T	pipe	A		B		D		CH		
	dn	inch	size			mm	in	mm	in	mm	in	mm	in	in
FS93B-04-14	6	1/4"	04	M14X1,5	S6	28,0	1,10	2,5	0,10	31,8	1,25	17,0	0,669	11/16"
FS93B-04-16	6	1/4"	04	M16X1,5	S8	28,2	1,11	2,5	0,10	32,5	1,28	19,0	0,748	3/4"
FS93B-04-18	6	1/4"	04	M18X1,5	S10	28,2	1,11	2,0	0,08	34,5	1,36	22,0	0,866	7/8"
FS93B-05-20	8	5/16"	05	M20X1,5	S12	30,5	1,20	2,0	0,08	36,0	1,42	24,0	0,945	15/16"
FS92B-06-18	10	3/8"	06	M18X1,5	S10	30,5	1,20	2,0	0,08	36,0	1,42	22,0	0,866	7/8"
FS93B-06-20	10	3/8"	06	M20X1,5	S12	30,5	1,20	2,0	0,08	36,0	1,42	24,0	0,945	15/16"
FS93B-06-22	10	3/8"	06	M22X1,5	S14	31,5	1,24	4,0	0,16	40,0	1,57	27,0	1,063	1.1/16"
FS93B-08-24	12	1/2"	08	M24X1,5	S16	38,2	1,50	3,0	0,12	42,5	1,67	30,0	1,181	1.3/16"
FS93B-10-30	16	5/8"	10	M30X2	S20	54,0	2,13	3,5	0,14	55,0	2,17	36,0	1,417	1.7/16"
FS93B-10-36	16	5/8"	10	M36X2	S25	56,0	2,20	3,0	0,12	60,0	2,36	46,0	1,811	1.13/16"
FS92B-12-24	19	3/4"	12	M24X1,5	S16	56,0	2,20	3,0	0,12	57,5	2,26	30,0	1,181	1.3/16"
FS93B-12-30	19	3/4"	12	M30X2	S20	55,5	2,19	3,5	0,14	57,0	2,24	36,0	1,417	1.7/16"
FS93B-12-36	19	3/4"	12	M36X2	S25	55,5	2,19	3,0	0,12	60,0	2,36	46,0	1,811	1.13/16"
FS93B-16-36	25	1"	16	M36X2	S25	74,0	2,91	3,0	0,12	71,5	2,81	46,0	1,811	1.13/16"
FS93B-16-42	25	1"	16	M42X2	S30	74,0	2,91	6,0	0,24	75,0	2,95	50,0	1,969	2"
FS92B-20-42	31	1.1/4"	20	M42X2	S30	85,5	3,37	6,0	0,24	83,0	3,27	50,0	1,969	2"
FS93B-20-52	31	1.1/4"	20	M52X2	S38	102,0	4,02	6,5	0,26	95,6	3,76	60,0	2,362	2.3/8"
FS93B-24-52	38	1.1/2"	24	M52X2	S38	103,0	4,06	6,5	0,26	101,5	4,00	60,0	2,362	2.3/8"

Nut type

FS93

FS92

