

Two piece fittings - Universal series for wire braided and 4 spiral hydraulic hoses

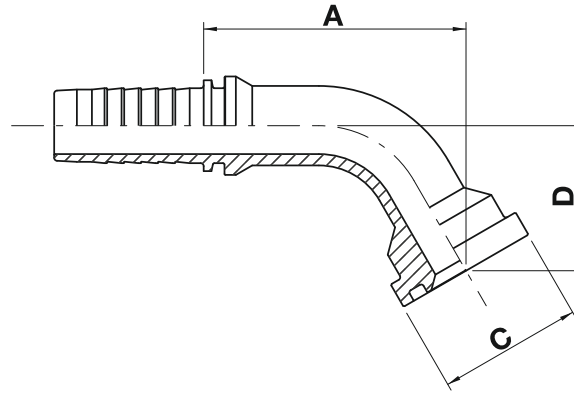
AX600B

SAE 3000 code 61 - 60° elbow flange

NO SKIVE / EXTERNAL SKIVE

ISO 6162-1 / SAE J518-1

3000 Serisi 60° flanş



code	ø hose			flange	A		C		D	
	dn	inch	size		mm	in	mm	in	mm	in
AX60B-12-12	19	3/4"	12	3/4"	69,3	2,73	38,1	1,50	38,3	1,51
AX60B-16-16	25	1"	16	1"	78,7	3,10	44,5	1,75	40,0	1,58
AX60B-20-20	31	1.1/4"	20	1.1/4"	94,6	3,72	50,8	2,00	43,9	1,73
AX60B-24-24	38	1.1/2"	24	1.1/2"	114,0	4,49	60,3	2,37	52,0	2,05
AX60B-24-32	38	1.1/2"	24	2"	114,0	4,49	71,4	2,81	55,3	2,18
AX60B-32-32	51	2"	32	2"	157,3	6,19	71,4	2,81	76,0	2,99
AX60B-40-40	63	2.1/2"	40	2.1/2"	138,3	5,44	84,1	3,31	73,4	2,89
AX60B-40-48	63	2.1/2"	40	3"	138,3	5,44	101,6	4,00	73,4	2,89