

Two piece fittings - Universal series for wire braided and 4 spiral hydraulic hoses

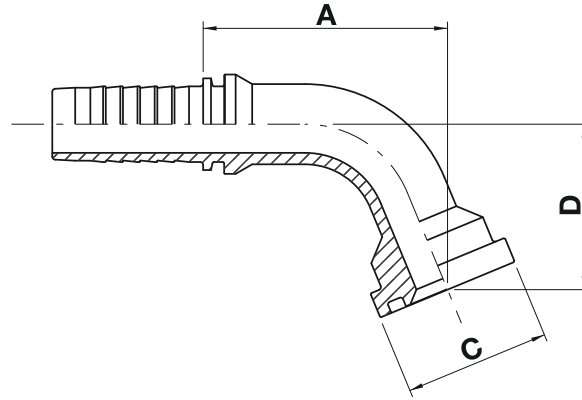
AX70B

SAE 3000 code 61 - 67,5° elbow flange

NO SKIVE / EXTERNAL SKIVE

ISO 6162-1 / SAE J518-1

3000 Serisi 67,5° flanş



code	ø hose			flange	A		C		D	
	dn	inch	size		mm	in	mm	in	mm	in
AX70B-12-12	19	3/4"	12	3/4"	64,0	2,52	38,1	1,50	43,3	1,70
AX70B-16-16	25	1"	16	1"	76,0	2,99	44,5	1,75	46,0	1,81
AX70B-20-20	31	1.1/4"	20	1.1/4"	93,5	3,68	50,8	2,00	50,3	1,98
AX70B-24-24	38	1.1/2"	24	1.1/2"	108,5	4,27	60,3	2,37	59,5	2,34
AX70B-24-32	38	1.1/2"	24	2"	111,0	4,37	71,4	2,81	63,0	2,48
AX70B-32-32	51	2"	32	2"	155,3	6,11	71,4	2,81	87,5	3,44
AX70B-40-40	63	2.1/2"	40	2.1/2"	140,4	5,53	84,1	3,31	86,3	3,40
AX70B-40-48	63	2.1/2"	40	3"	140,4	5,53	101,6	4,00	86,3	3,40