

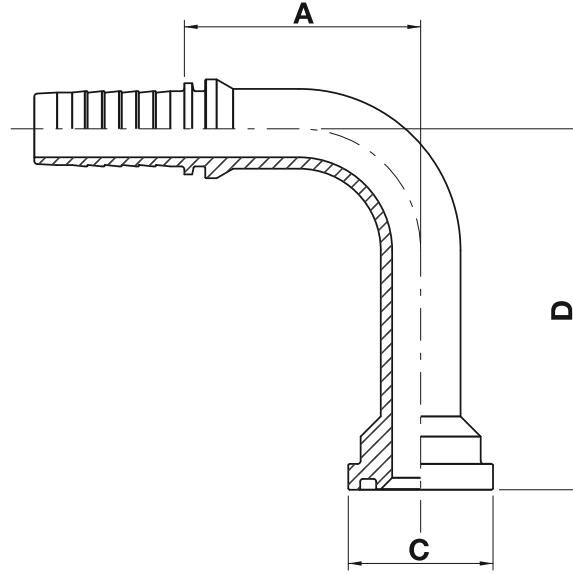
Two piece fittings - Universal series for wire braided and 4 spiral hydraulic hoses

AX90B-L

SAE 3000 code 61 - 90° elbow flange (long drop)

ISO 6162-1 / SAE J518-1

3000 Serisi 90° uzun drop flanş



code	ø hose			flange	A		C		D	
	dn	inch	size		mm	in	mm	in	mm	in
AX90B-12-12-95	19	3/4"	12	3/4"	62,2	2,45	38,0	1,50	95,0	3,74
AX90B-12-16-100	19	3/4"	12	1"	61,2	2,41	44,5	1,75	100,0	3,94
AX90B-16-16-80	25	1"	16	1"	67,0	2,64	44,5	1,75	80,0	3,15
AX90B-16-16-115	25	1"	16	1"	79,0	3,11	44,5	1,75	115,0	4,53
AX90B-24-24-150	38	1.1/2"	24	1.1/2"	104,0	4,09	60,3	2,37	150,0	5,91
AX90B-32-32-100	51	2"	32	2"	137,0	5,39	71,4	2,81	105,0	4,13
AX90B-32-32-203	51	2"	32	2"	132,3	5,21	71,4	2,81	203,0	7,99