

Two piece fittings - Universal series for wire braided and 4 spiral hydraulic hoses

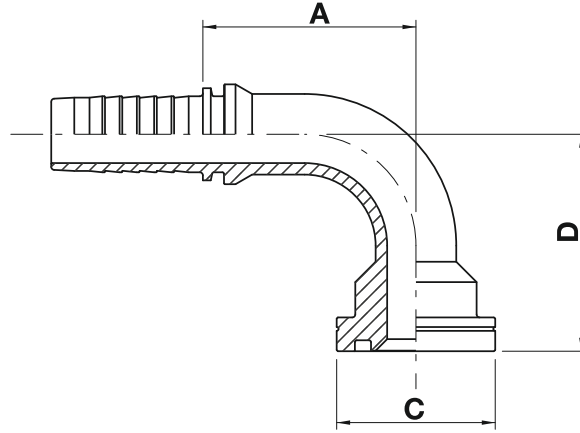
## AY90B

SAE 6000 code 62 - 90° elbow flange

NO SKIVE / EXTERNAL SKIVE

ISO 6162-2 / SAE J518-2

6000 Serisi 90° flanş



code	ø hose			flange	A		C		D	
	dn	inch	size		mm	in	mm	in	mm	in
AY90B-08-08	12	1/2"	08	1/2"	46,5	1,83	31,7	1,25	47,0	1,85
AY90B-08-12	12	1/2"	08	3/4"	50,5	1,99	41,3	1,63	56,0	2,20
AY90B-10-08	16	5/8"	10	1/2"	55,0	2,17	31,7	1,25	52,0	2,05
AY90B-10-12	16	5/8"	10	3/4"	53,5	2,11	41,3	1,63	58,0	2,28
AY90B-10-16	16	5/8"	10	1/2"	57,5	2,26	47,6	1,88	66,0	2,60
AY90B-12-12	19	3/4"	12	3/4"	55,5	2,19	41,3	1,63	56,5	2,22
AY90B-12-16	19	3/4"	12	1"	55,5	2,19	47,6	1,88	78,0	3,07
AY90B-16-16	25	1"	16	1"	76,0	2,99	47,6	1,88	66,0	2,60
AY90B-16-20	25	1"	16	1.1/4"	78,0	3,07	54,0	2,13	80,5	3,17
AY90B-20-16	31	1.1/4"	20	1"	96,0	3,78	47,6	1,88	85,0	3,35
AY90B-20-20	31	1.1/4"	20	1.1/4"	101,7	4,00	54,0	2,13	86,0	3,39
AY90B-20-24	31	1.1/4"	20	1.1/2"	102,3	4,03	63,5	2,50	98,0	3,86
AY90B-24-24	38	1.1/2"	24	1.1/2"	111,0	4,37	63,5	2,50	104,0	4,09
AY90B-24-32	38	1.1/2"	24	2"	113,0	4,45	79,4	3,13	119,5	4,70
AY90B-32-32	51	2"	32	2"	149,3	5,88	79,4	3,13	134,0	5,28