

Interlock fittings for 4 and 6 spiral hoses

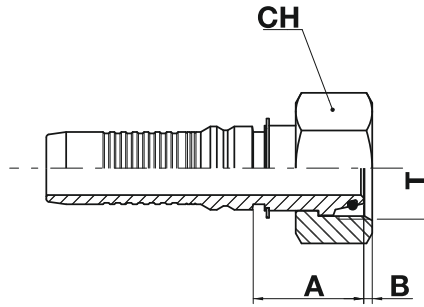
## FS13I

**Metric heavy female swivel (24° cone seat)**

INTERLOCK

ISO 8434-1 / DIN 3865

**Metrik dişi interlock başlık**



code	ø hose			T	pipe	A		B		CH		
	dn	inch	size			mm	in	mm	in	mm	in	in
FS13I-10-30	16	5/8"	10	M30X2	S20	34,0	1,34	3,5	0,14	36,0	1,417	1.7/16"
FS13-12-30	19	3/4"	12	M30X2	S20	32,0	1,26	3,5	0,14	36,0	1,417	1.7/16"
FS13I-12-36	19	3/4"	12	M36X2	S25	39,5	1,56	3,0	0,12	46,0	1,811	1.13/16"
FS13I-16-36	25	1"	16	M36X2	S25	39,0	1,54	3,0	0,12	46,0	1,811	1.13/16"
FS13I-16-42	25	1"	16	M42X2	S30	41,5	1,63	6,0	0,24	50,0	1,969	2"
FS12I-20-42	31	1.1/4"	20	M42X2	S30	33,2	1,31	6,0	0,24	50,0	1,969	2"
FS13I-20-52	31	1.1/4"	20	M52X2	S38	45,2	1,78	6,5	0,26	60,0	2,362	2.3/8"
FS13I-24-52	38	1.1/2"	24	M52X2	S38	45,5	1,79	6,5	0,26	60,0	2,362	2.3/8"
FS13I-32-68	51	2"	32	M68X2	S54	67,0	2,64	6,0	0,24	80,0	3,150	3.3/16"
FS13I-40-82	63	2.1/2"	40	M82X2	S63	85,0	3,35	13,0	0,51	95,0	3,740	3.5/8"
FS13I-48-100	76	3"	48	M100X2	S80	104,0	4,09	14,9	0,59	125,0	4,921	5"

**Nut type**

