

Interlock fittings for 4 and 6 spiral hoses

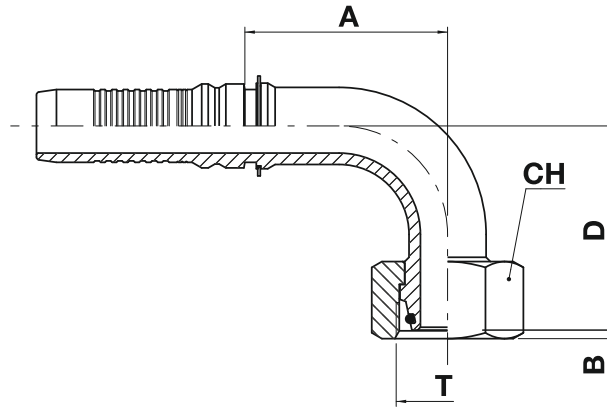
FS93I

Metric heavy female swivel - 90° elbow (24° cone seat)

INTERLOCK

ISO 8434-1 / DIN 3865

Metrik dişi 90° interlock başlık



code	ø hose			T	pipe	A		B		D		CH		
	dn	inch	size			mm	in	mm	in	mm	in	mm	in	in
FS93I-10-30	16	5/8"	10	M30X2	S20	52,5	2,07	3,5	0,14	55,0	2,16	36,0	1,417	1.7/16"
FS93I-12-36	19	3/4"	12	M36X2	S25	53,0	2,09	3,0	0,12	60,0	2,36	46,0	1,811	1.13/16"
FS93I-16-36	25	1"	16	M36X2	S25	71,0	2,80	3,0	0,12	71,5	2,81	46,0	1,811	1.13/16"
FS93I-16-42	25	1"	16	M42X2	S30	71,0	2,80	6,0	0,24	75,0	2,95	50,0	1,969	2"
FS93I-20-52	31	1.1/4"	20	M52X2	S38	88,3	3,48	6,5	0,26	95,7	3,77	60,0	2,362	2.3/8"
FS93I-24-52	38	1.1/2"	24	M52X2	S38	109,5	4,31	6,5	0,26	120,0	4,72	60,0	2,362	2.3/8"